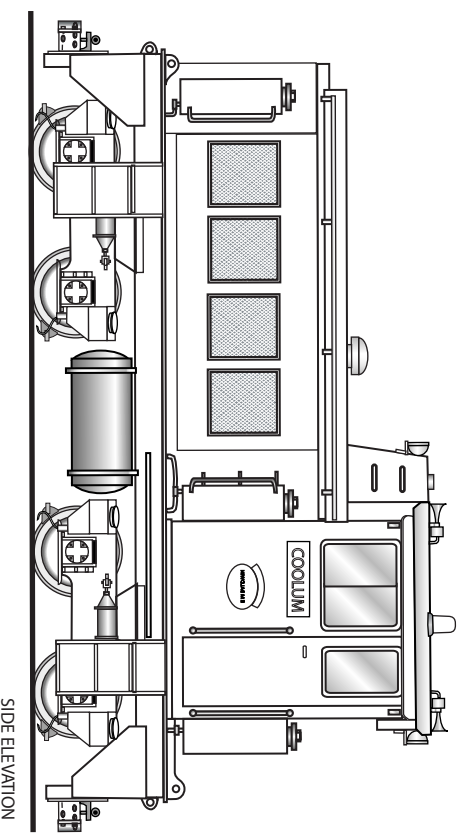


End Elevation



SIDE ELEVATION

MORETON SUGAR MILL (Nambour)
 EM Baldwin Bo Bo Diesel Locomotive "Coolum"

Scale 3/16 inch = 1 foot 1 : 64
 drawn by Jim Fairgest1997
 digitised Jan 2005